

Bluebird House

Instructions

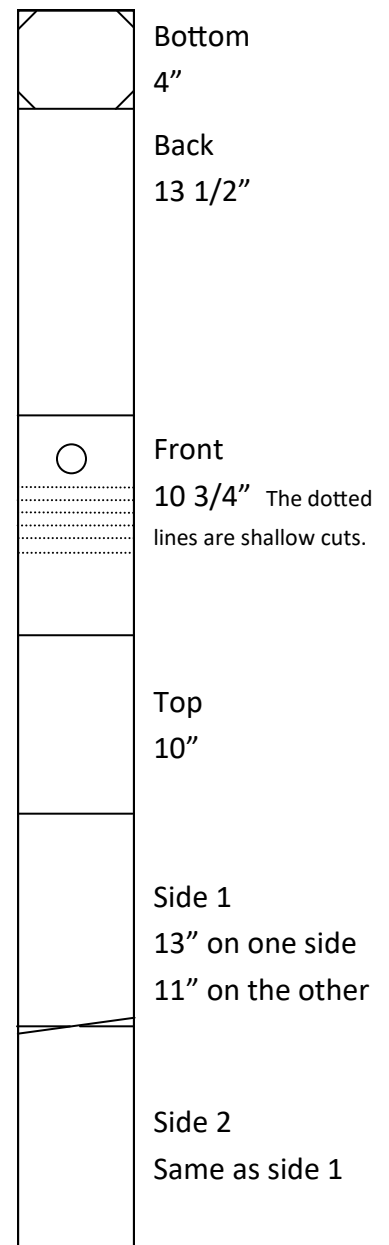
1. Cut the 1" x 6" board as shown. We suggest you measure and cut one piece at a time. On the bottom, cut the corners off for ventilation. On the sides cut the top edge off for ventilation
2. The top of the back and both ends of the top should be cut with a 20 degree angle.
3. Cut shallow grooves on the inside of the front panel from about 1/2 way up to the hole. The hole is 1 1/2" in diameter and the center is 2" from the top.
4. Nail back, one side, front, bottom and top in place
5. Watch the video for directions to hinge the 2nd side. The Build Video can be seen here:
<https://DIYwithWayne.com/birds/house1.pdf>
6. You can also use a simple gate latch or anything that will keep the side door closed. A screw will work but is more trouble to remove for cleaning.
7. Install and enjoy



The wood needed is a board 1 X 6 X 6 feet long.

You can also use a 6' Fence picket. If you use a picket, the measurements will vary some.

Don't use treated wood.



More Bluebird Videos can be seen here:

<https://diywithwayne.com/video-categories/birds/>

Please visit our website to see a listing of all our DIY Videos:

<https://DIYwithWayne.com>